

V70 (00-08), 2005, D5244T2, M56, YV1SW746252518512, 518512

1/2/2020



PRINT

Air quality sensor

Note! A new air quality sensor has been introduced from specific chassis numbers for model year 2002.

The **old** air quality sensor is fitted in cars with the following chassis numbers:

V70 2000: -179938
(factory 1)

V70 2000: -178516
(factory 2)

V70 XC 2001:
-051467

S60 2001: -102442

Method for the old air quality sensor

according to

Replacing the air quality sensor .

The following method applies for cars with chassis numbers that higher than those above.

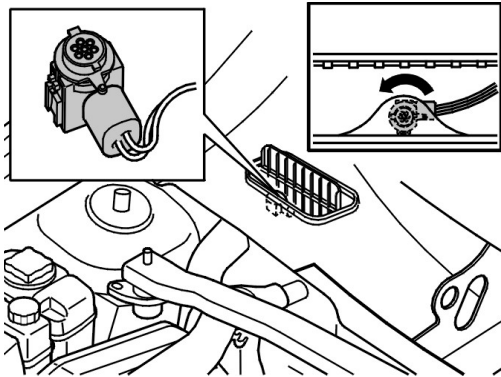
Preparations

Remove:

- windscreen wiper according to Wiper arm / blade, windshield, replacing
- cover panel windscreen wiper channel according to Cowl, replacing .

Open the shutter for the air intake (REC).

Removing the sensor

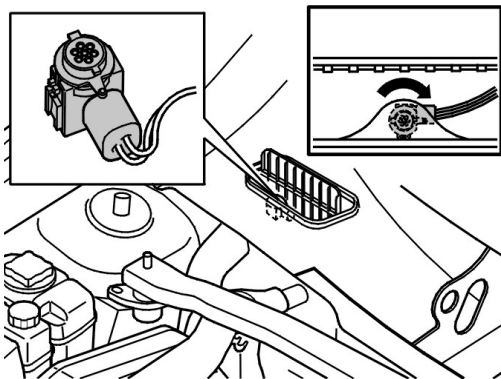


Turn the sensor about 60° anticlockwise (see the illustration).

Note! The sensor can only be positioned one way in the groove (see the illustration).

Pull out the sensor and cable a little so the connector is accessible. Disconnect the connector.

Installing the sensor



Connect the connector. Insert the cable through the hole as far as possible. Place the sensor with seal (the smooth side facing upward) in the groove. Turn the sensor about 60° clockwise until it stops. Check that the air quality sensor is secured properly. Make sure the cable is pulled in as far as possible.

Installing cover panel and windscreen wiper

Close the shutter for the air intake. Install the windscreen wiper cover panel and the windscreen wiper according to Wiper arm / blade, windshield, replacing .

Vehicles manufactured 2005-

Calibrate the climate control module (CCM) according to VIDA/DIAGNOSTICS/VEHICLE COMMUNICATION/Calibrating the Climate control module (CCM).